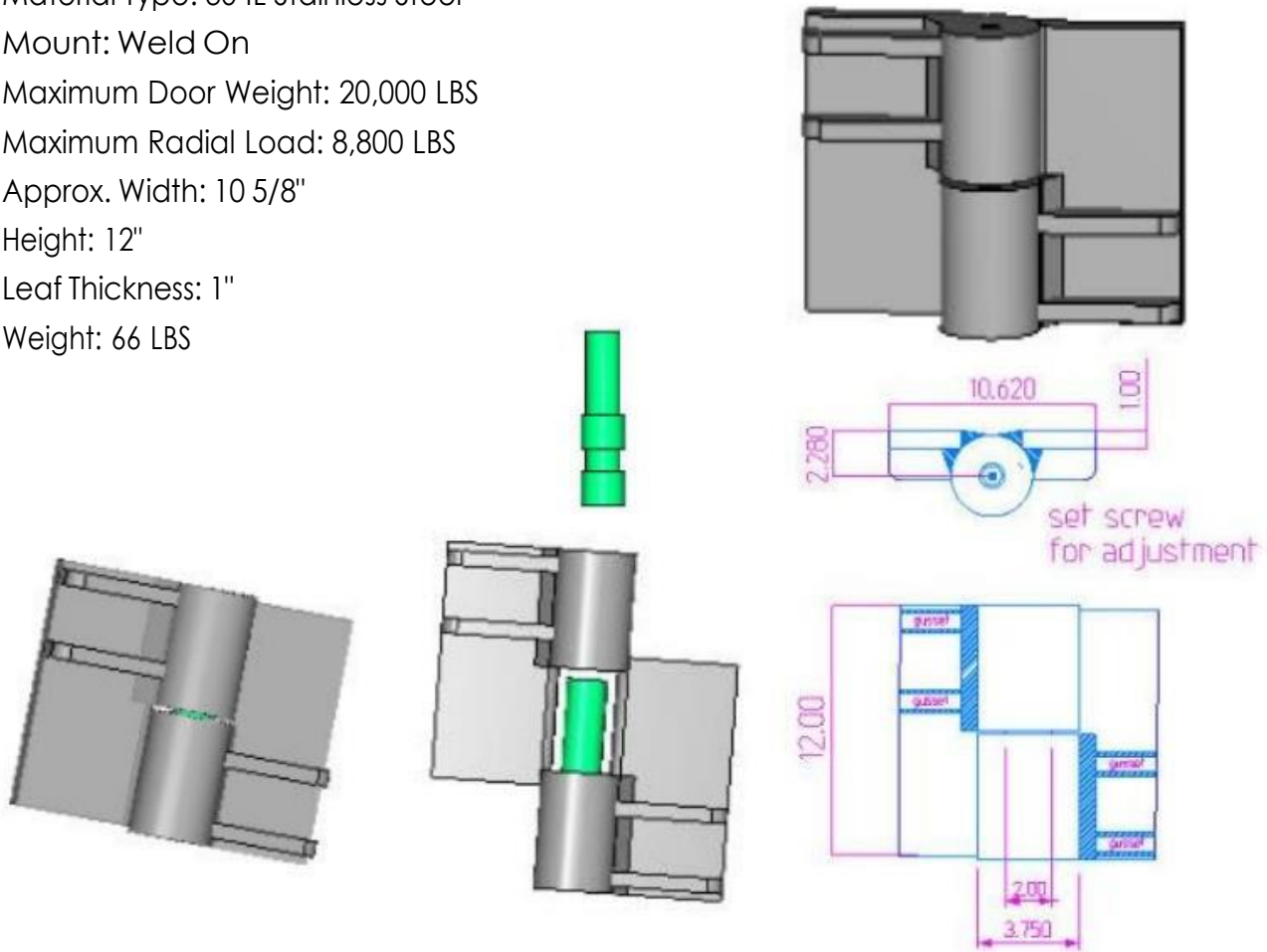


# 12" x 10 5/8" Stainless Steel Heavy Duty Hinges

Model Number: 2200 RH-304

Price: \$ 4300

- Material Type: 304L Stainless Steel
- Mount: Weld On
- Maximum Door Weight: 20,000 LBS
- Maximum Radial Load: 8,800 LBS
- Approx. Width: 10 5/8"
- Height: 12"
- Leaf Thickness: 1"
- Weight: 66 LBS



## Kiesler Machine Inc

13700 Chrissy Lane NE  
Palmyra, IN. 47164-8768

## Contact Info :

info@kieslermachine.com  
Toll-Free : 888-565-6610  
Phone : 812-364-6610



Smoother Than The Rest  
Guaranteed!

Data Provided For Reference Only.